

**MODEL:** KLS3-YS03A-28MM-8R2W & KLS3-YS03B-28MM-8R2W & KLS3-YS03C-28MM-8R2W  
**DESCRIPTION:** SPEAKER

## FEATURES

- 28 mm
- round frame
- 2 W
- 8  $\Omega$
- neodymium magnet
- mylar cone



## SPECIFICATIONS

parameter	conditions/description	min	typ	max	units
input power			2.0	4.0	W
impedance	at 1.0 kHz, 1.0 V	6.8	8	9.2	$\Omega$
resonant frequency (Fo)	at 1.0 V	624	780	936	Hz
frequency response		Fo		7,500	Hz
sound pressure level	at 1.0 W, 50 cm, avg at 0.8, 1.0, 1.2, 1.5 kHz	84	87	90	dB
buzz, rattle, etc.	must be normal at sine wave			4.0	V
dimensions	$\varnothing 28 \times 5.2$				mm
magnet	Nd-Fe-B				
cone material	mylar				
terminal	solder pads				
weight			7.2		g
operating temperature		-25		60	$^{\circ}\text{C}$
hand soldering	for maximum 3 seconds	340	350	360	$^{\circ}\text{C}$
RoHS	yes				

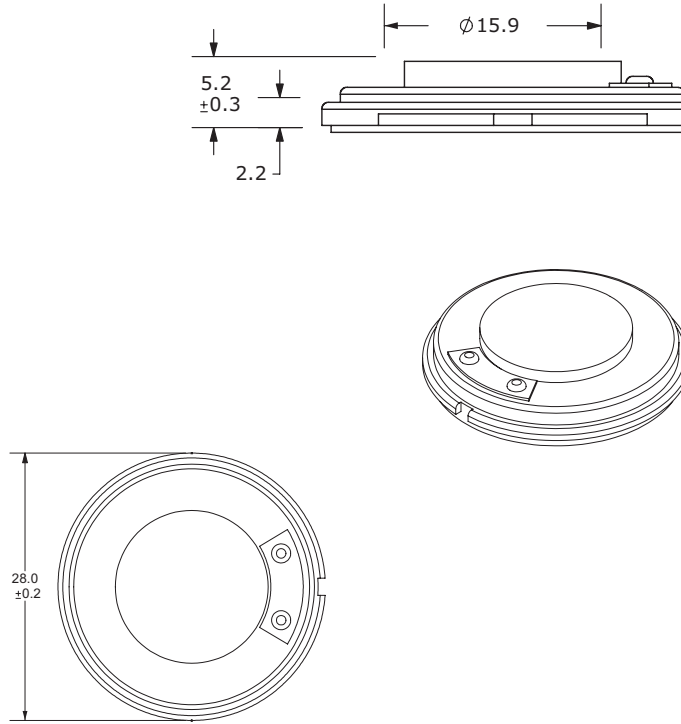


# NINGBO KLS ELECTRONIC CO.,LTD.

MODEL: KLS3-YS03A-28MM-8R2W & KLS3-YS03B-28MM-8R2W & KLS3-YS03C-28MM-8R2W | DESCRIPTION: SPEAKER

## MECHANICAL DRAWING

units: mm  
tolerance:  $\pm 0.3$  mm



## FREQUENCY RESPONSE CURVE

parameter	conditions/description
potentiometer range	50 dB
rectifier	RMS
lower limit frequency	20 Hz
wr. speed	100 mm/sec
zero level	60 dB

